

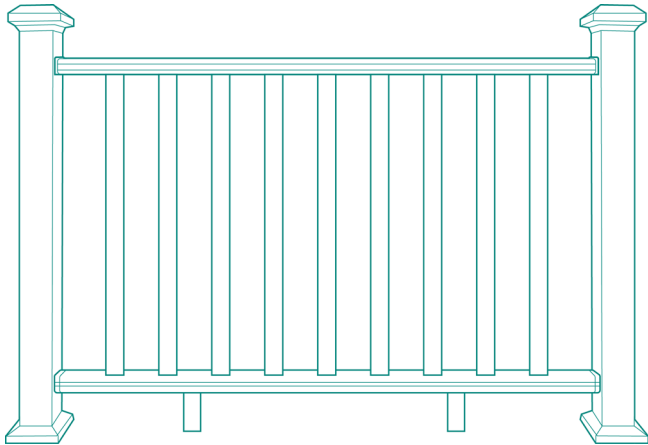


.....

COMPOSITE BALUSTRADE

Installation Guide

.....



[assuredcomposite.com](https://www.assuredcomposite.com) info@assuredcomposite.com

0800 802 1357



CONTENTS

Parts of the Balustrade 4

Tips & Advice 5

.....
Handling & storage 7

Recommended tools & safety equipment 8

Installation 9

.....
Preparing the balustrade 10

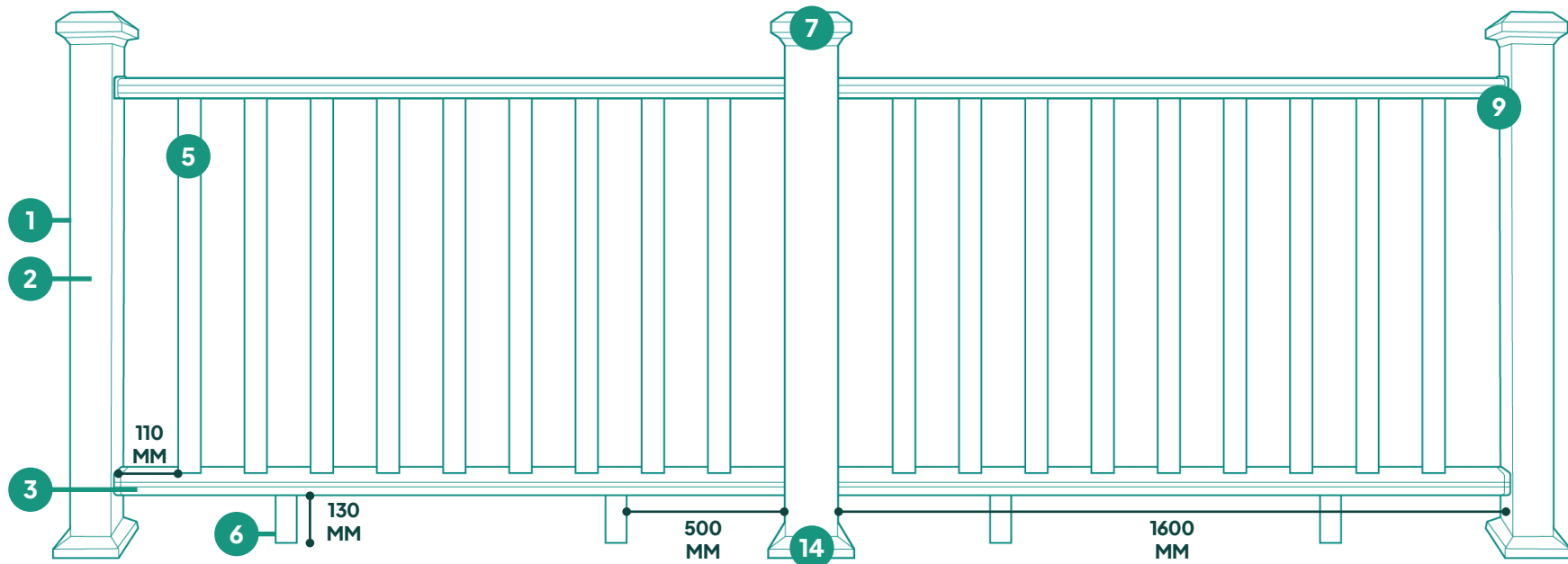
Balustrade posts 11

Bottom rail & spindles 12

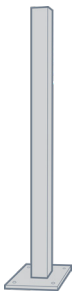
Top rail & post caps 13

Stairs 14

PARTS OF THE BALUSTRADE



1
POST



2
POST
SUPPORT



3
TOP OR
BOTTOM
RAIL



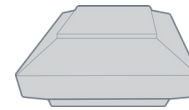
4
STEEL
TUBE



5
SPINDLE



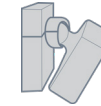
6 ADJUSTABLE
BALUSTRADE
SUPPORT



7 POST CAP



8 INNER
CONNECTOR



9 STAIR
BRACKET



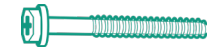
10 STAIR
SHIM



11 FIXED
BRACKET



12 STAINLESS
STEEL
SCREWS



13 COACH
SCREW



14 BASE
COVER



TIPS & ADVICE



Plan your project

- Use a minimum of 2 people to make the project easier
- Plan all areas and think about what is trying to be achieved
- Measure twice to ensure the correct measurements are taken before cutting any material
- Ensure all working areas are clear and free from any obstacles to avoid damage or injury
- Clear all vegetation where necessary to avoid unnecessary growth
- Pre-drill holes where necessary to avoid splitting materials

Prepare for installation

- Allow expansion gaps where advised to avoid unnecessary repairs

Recommended tools

- Only use Assured fasteners and fixings with Assured products
- Refer to manufacturers user manual before using tools if unsure

Safety first

- Always wear safety equipment
- Always have safety in mind

Not sure about anything regarding installation?

Please contact us

 assuredcomposite.com

 info@assuredcomposite.com

 0800 802 1357

HANDLING & STORAGE

Looking after composite materials

When handling and storing our composite products follow the advice of our experts, this helps prevent damage and injury before installation

- When moving composite products please ensure the correct safety equipment is worn
- Check that the area where the products are being placed are clear and free from any obstacles
- We advise that 2 people move products due to the weight and length
- Do not drag or slide products especially when laying on top of one another
- Allow 24 hours for products to acclimatise to the environment before installation
- Any composite products stored for a long period of time will need to be covered



RECOMMENDED TOOLS & SAFETY EQUIPMENT

Safety matters

When installing our products you must install them as safely as possible. Ensure you have the right tools available which have been recommended by our team of experts



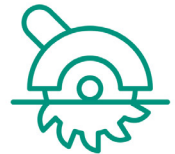
Tape Measure



Spanner



Impact Driver



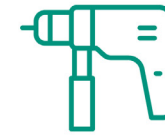
Circular Saw



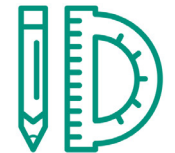
String Line



Safety Clothing



Hammer Drill



Set Square



Jigsaw



Spirit Level

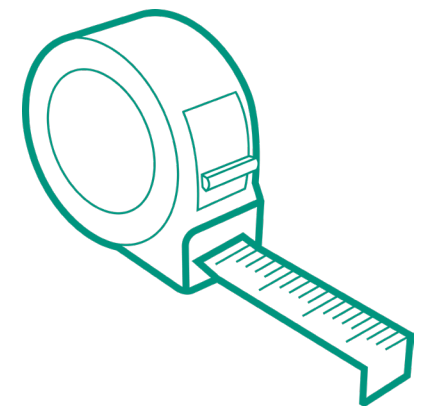


Clamp

If you are unsure on how to use any tool refer to the manufacturers user manual before continuing



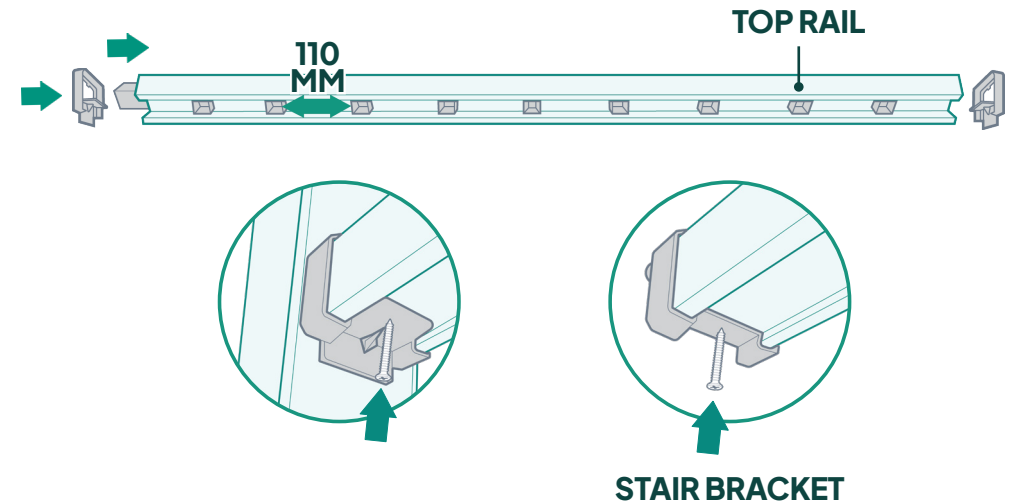
INSTALLATION



PREPARING THE BALUSTRADE

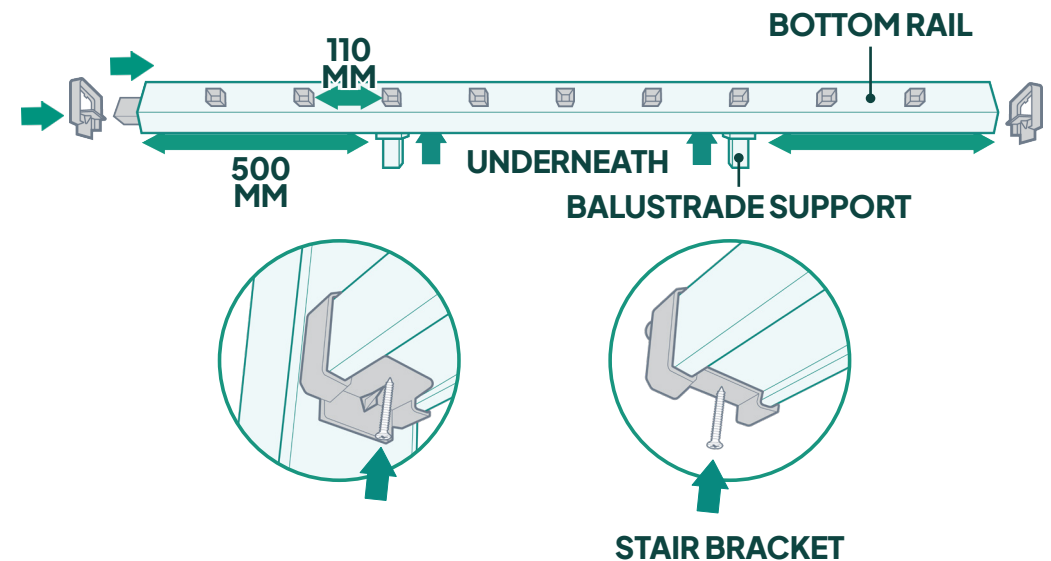
TOP RAIL

- 1 Push a fixed bracket onto each end of the top rail and fix into place with the screws provided. If installing stairs ensure you fix the correct brackets from the stair pack



BOTTOM RAIL

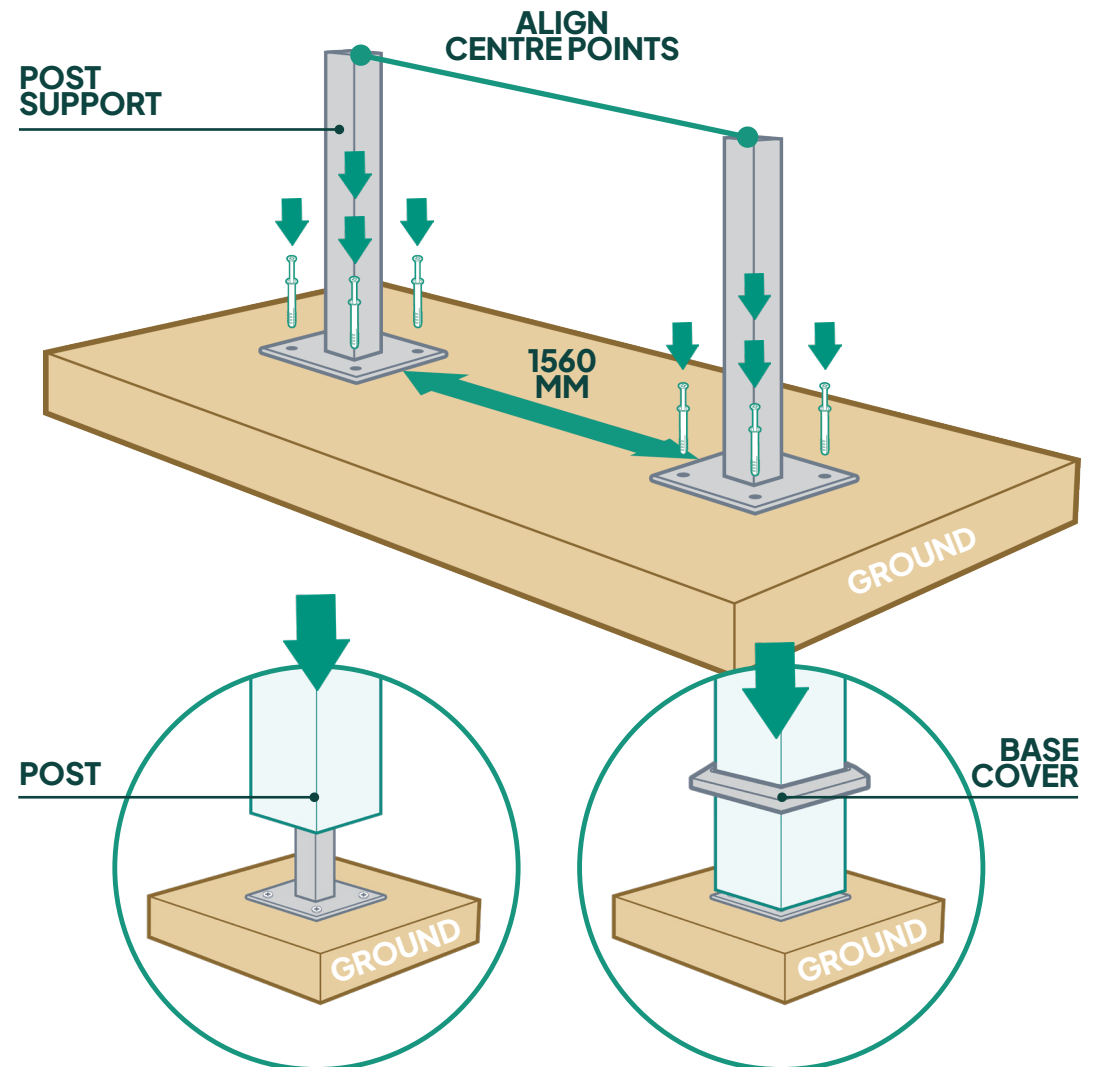
- 1 Set and mark out the adjustable balustrade supports to the under side of the bottom rail 500mm from each end and fix into place with the screws provided
- 2 Push a fixed bracket onto each end of the bottom rail and fix into place with the screws provided. If installing stairs ensure you fix the correct brackets from the stair pack



INSTALLING BALUSTRADE POSTS

When installing balustrade posts ensure the area is clear and free of any obstacles including any cables and pipes

- 1 Measure and mark out the area for the post supports ensuring that the spacing between each base plate post support is 1560mm
- 2 Fix post supports into place with the coach screws provided. Ensure that the post supports are level and check all dimensions
- 3 Place posts over the top of each post support
- 4 Place base covers over the top of each post
- 5 Check all dimensions and levels before continuing. Continue the same process for multiple posts

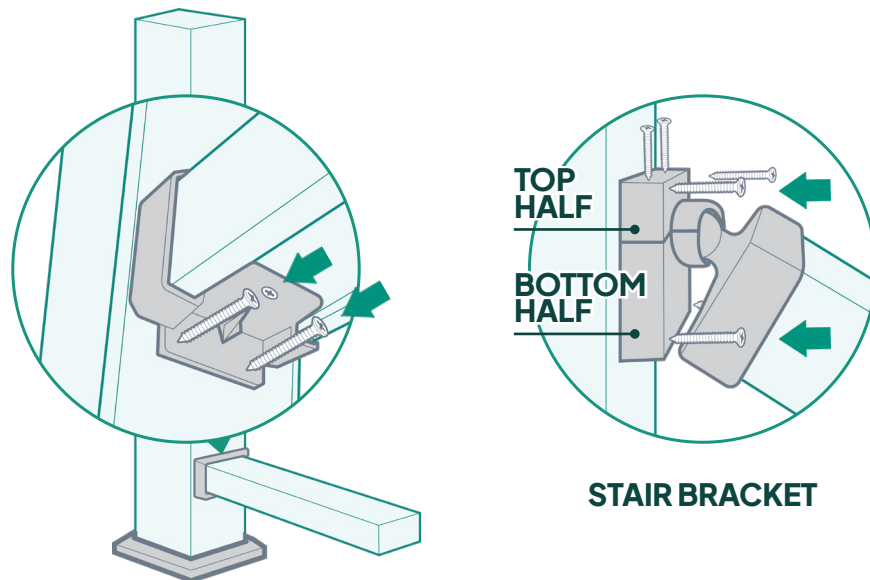


INSTALLING THE BOTTOM RAIL & SPINDLES

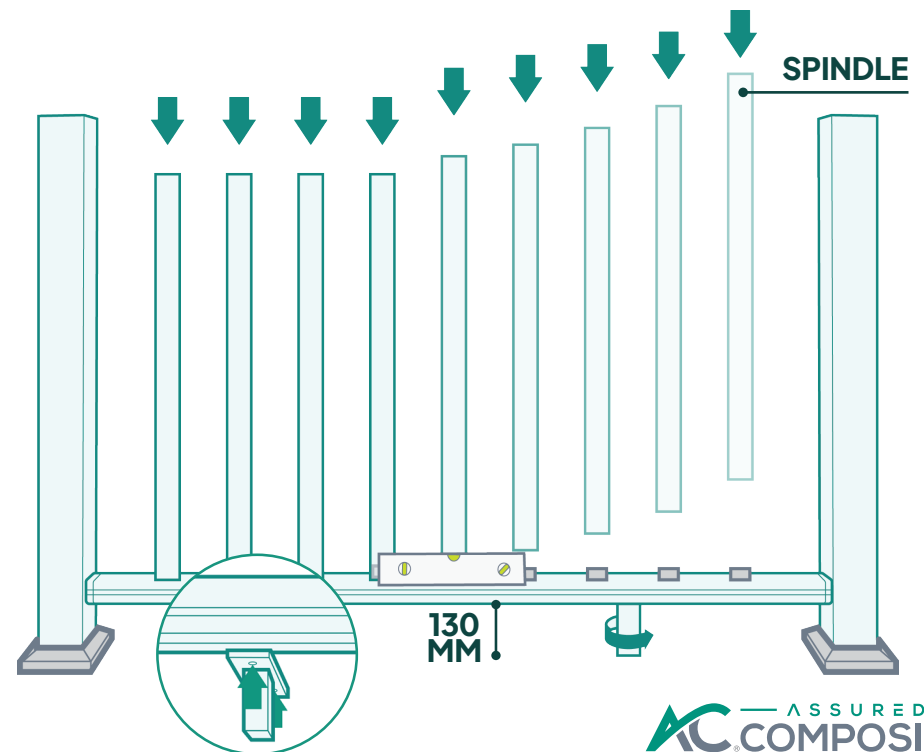
If installing spindles and adjustable balustrade supports for stairs you will need to cut the angles and add stair shims where applicable, the angle will depend on the angle of the stairs. Adjustable balustrade supports are not always required for stairs

- 1 Place the bottom rail into position and screw through the bottom of the fixed brackets into the posts with the screws provided. Ensure the bottom rail is 130mm from ground to the underside and level. If the surface is slightly uneven then adjust supports accordingly

If installing for stairs screw through the holes in the bottom half of the stair brackets with the screws provided. Sit the ball ends onto the brackets and fix into place by screwing the top half of the stair brackets into the posts with the screws provided



- 2 Place each spindle onto the inner connectors on the bottom rail. If installing for stairs ensure the spindles are the correct way

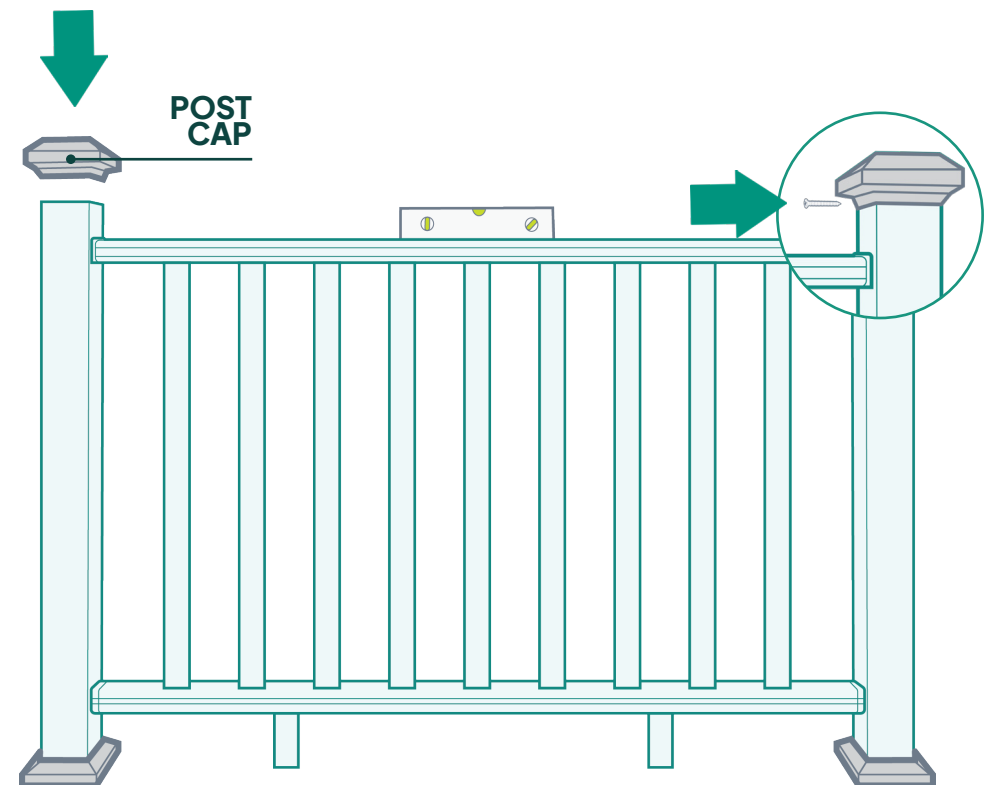
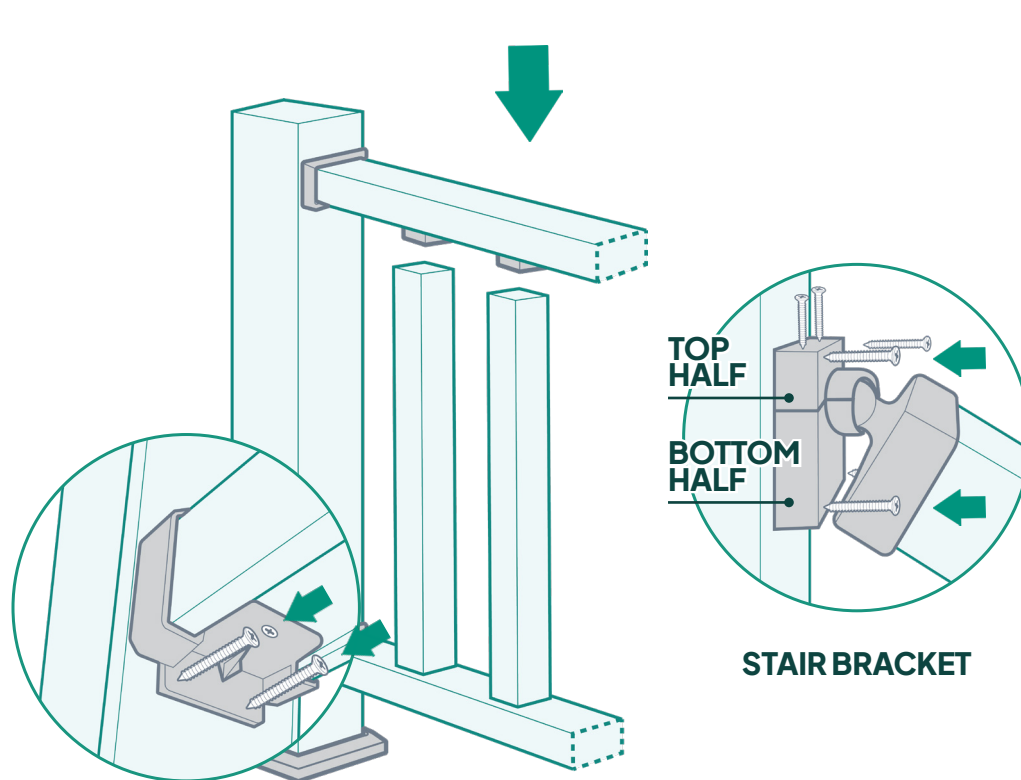


INSTALLING THE TOP RAIL & POST CAPS

- 1 Align the top rail with the spindles and inner connectors and firmly push together ensuring the top rail is level. If installing for stairs ensure the top rail is the correct way
- 3 Place post caps onto the top of posts and fix into place using the screws provided

- 2 Screw through the bottom of the fixed brackets into the posts with the screws provided.

If installing for stairs screw through the holes in the bottom half of the stair brackets. Sit the ball ends onto the brackets and fix into place by screwing the top half of the stair brackets into the posts with the screws provided



INSTALLING FOR STAIRS

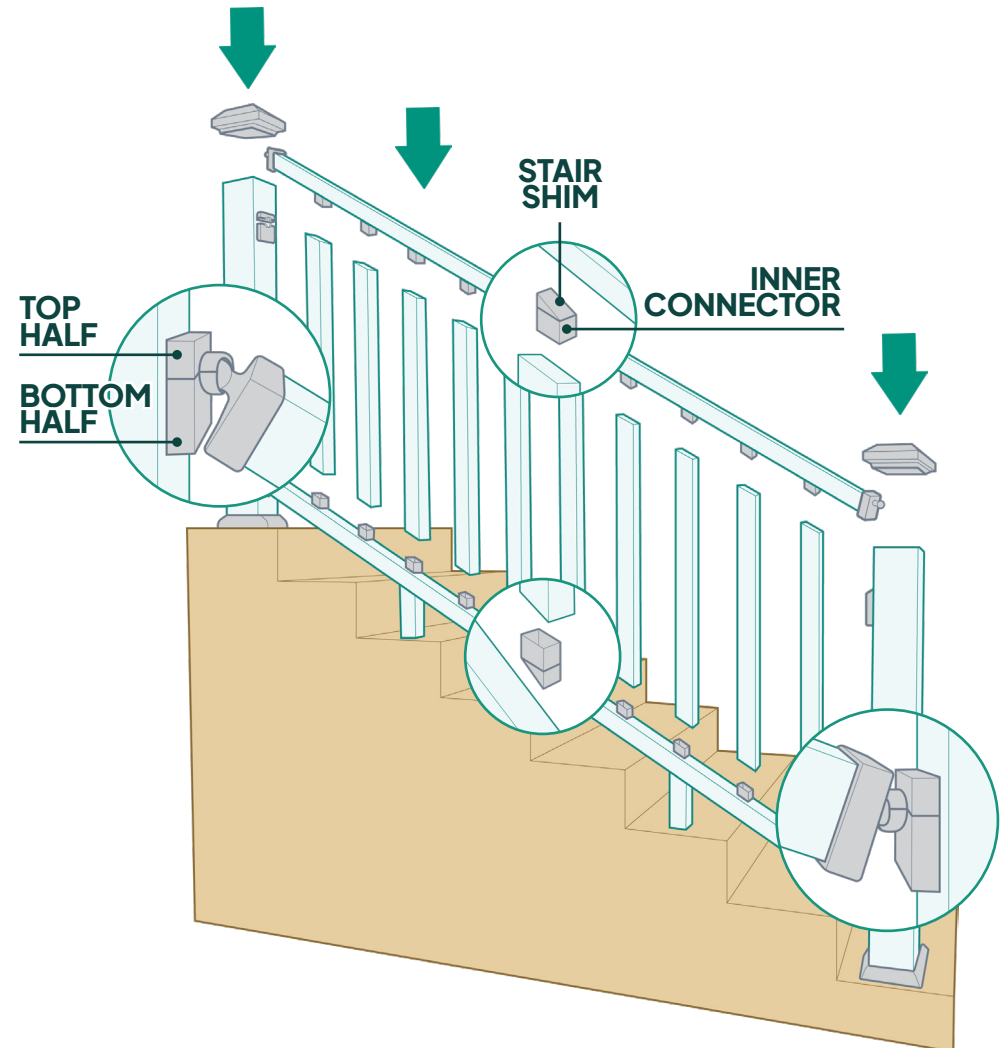
If installing spindles and adjustable balustrade supports for stairs you will need to cut the angles and add stair shims where applicable, the angle will depend on the angle of the stairs. Adjustable balustrade supports are not always required for stairs

- 1 Please refer to page 10 "Preparing the Balustrade". Ensure the stair brackets from the stair pack are used
- 2 Please refer to page 11 "Installing Balustrade Posts". Dimensions may change if balustrades are cut
- 3 Please refer to page 12 "Installing the Bottom Rail & Spindles". Once the bottom rail is fixed find the angle of the stairs and cut stair shims and spindles to suit

Fix the stair shims into place by unscrewing the inner connectors, placing the stair shims the correct way and screwing through the inner connectors and stair shims into the top and bottom rail

- 4 Please refer to page 13 "Installing the Top Rail & Post Caps"

**CUT STAIR SHIM
WHERE REQUIRED**





AC — ASSURED —
COMPOSITE

[assuredcomposite.com](https://www.assuredcomposite.com)

info@assuredcomposite.com

0800 802 1357